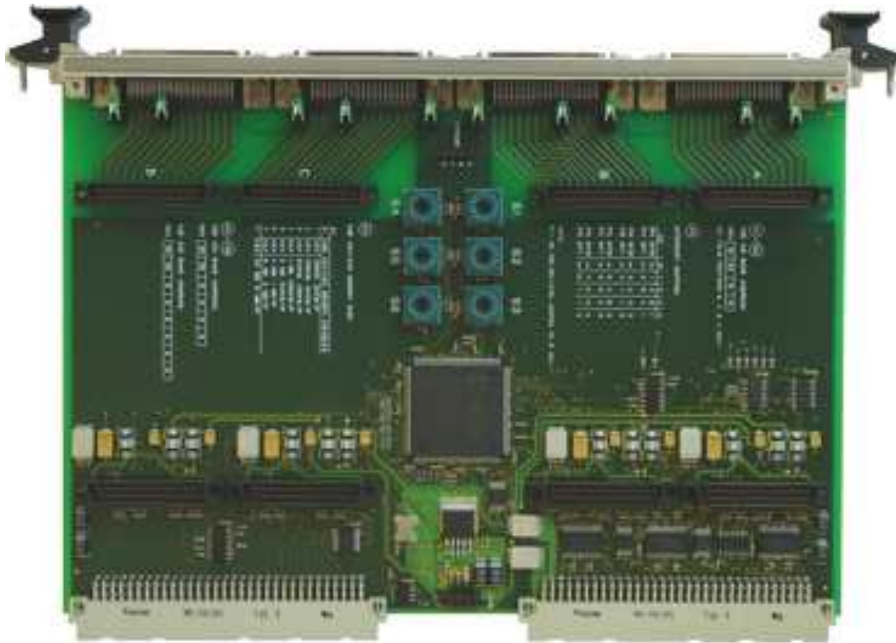


TVME201 VMEbus Carrier for 4 IndustryPacks®



Application Information

The TVME201 is 6U VMEbus Carrier for up to four single-size or two double-size IndustryPack (IP) modules allowing to build up modular, flexible and cost effective I/O solutions for all kinds of applications like process control, medical systems, telecommunication and traffic control.

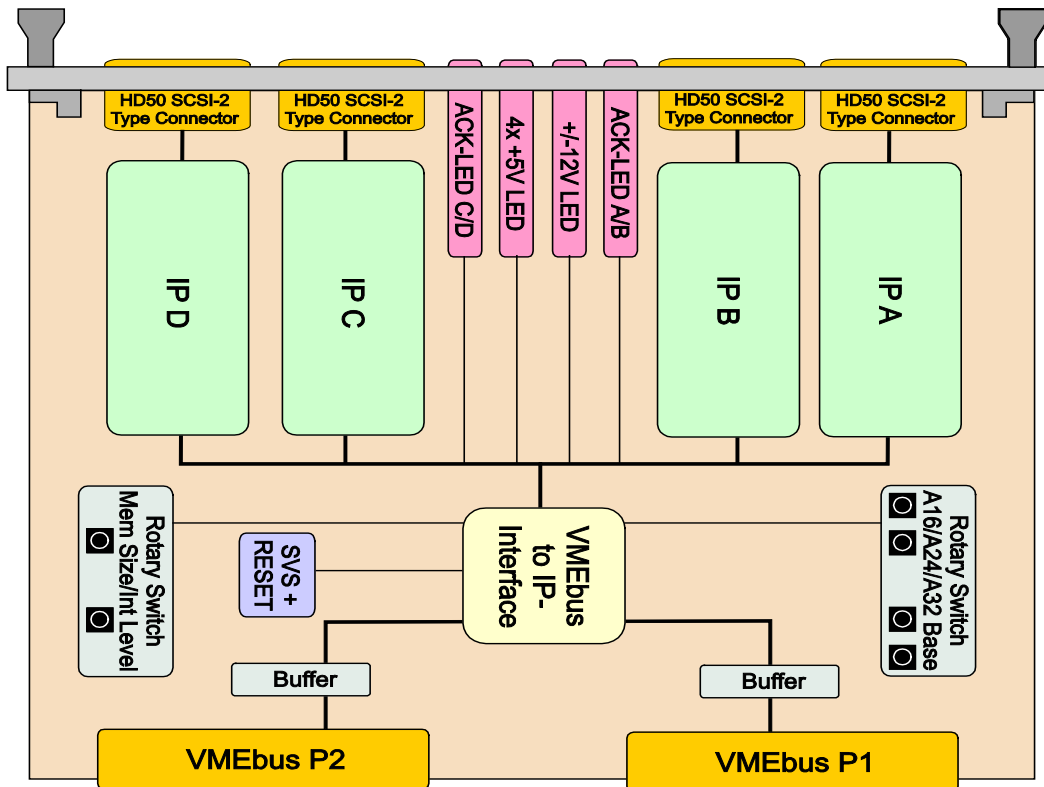
For improved EMI protection, four HD50 SCSI-2 type connectors are mounted in the EMI front panel of the TVME201 and provide access to all IP I/O lines. Status indicators for IP access, +5V and +/-12V are provided in the front panel.

A set of 16-position rotary switches allows easy configuration of VME Short I/O and Memory addresses. Interrupt routing from the IP slots to the VME IRQ's can be done in two ways: programmable by software or selection of predefined sets by a rotary switch.

The IP power lines are fuse protected by self healing fuses and RF filtered. The operating temperature ranges between -40°C and +85°C.

Technical Information

- Form Factor: VMEbus board, 6U
- VMEbus slave interface:
 - Short I/O: A16, D08/16, size: 1 Kbytes
 - Standard Memory: A24, D08/16, Size: programmable, 32 Kbytes to 2 Mbytes per IP
 - Extended Memory: A32, D08/16, Size: fixed, 8 Mbytes per IP
 - Interrupts: IRQ1-7
- ANSI/VITA 4-1995 compliant interface to IndustryPack modules
 - IndustryPack slots: Four single-size or two double-size with front panel I/O
 - 8 MHz interface, no DMA
 - Routing of IP Interrupt Levels to VME IRQ1-7: programmable by software or selection of predefined sets by a rotary switch
 - I/O access by HD50 SCSI-2 type connector per IP mounted in EMI front panel
- EMI front panel
- Status LED's
 - ACK LED for each IP module
 - +5V Power LED for each IP slot
 - +12V and -12V Power LED
- Self Healing fuses and RF-filtering on all IP power lines
- Operating Temperature -40°C to +85°C



Order Information

RoHS Compliant

TVME201-10R 6U 4 Slot IndustryPack Carrier, HD50 connectors

For the availability of non-RoHS compliant (lead solder) products please contact TEWS.

Documentation

TVME201-DOC User Manual

Software

CARRIER-SW-25 Integrity Software Support

CARRIER-SW-42 VxWorks Software Support (Legacy and VxBus-enabled Software Support)

CARRIER-SW-72 LynxOS IP Carrier Software Support

CARRIER-SW-82 Linux IP Carrier Software Support

CARRIER-SW-95 QNX IP Carrier Software Support

For other operating systems please contact TEWS.

Related Products

TA301 Cable Kit for Modules with HD50 Connector