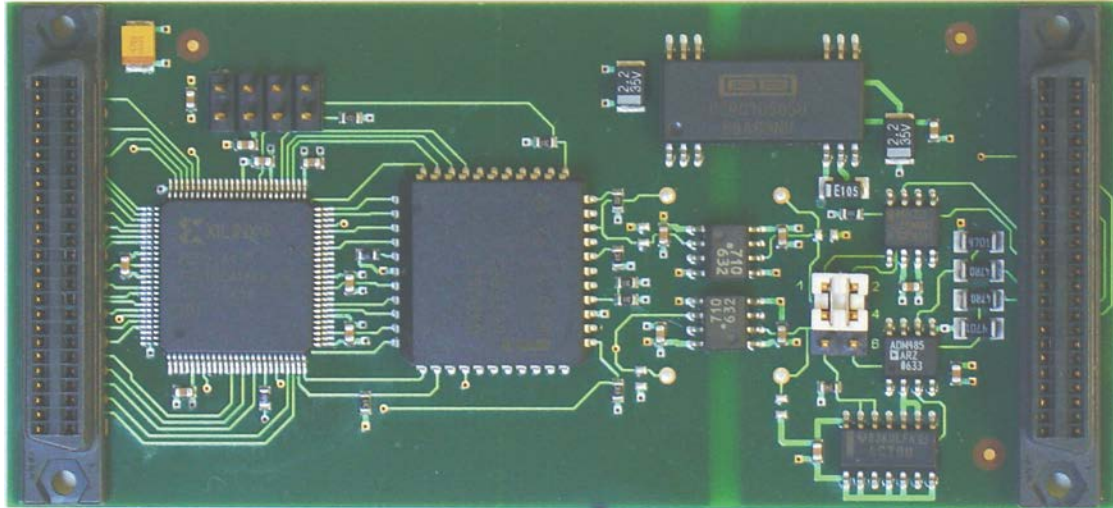


## TIP816 CAN Bus Controller (CAN Specification 2.0 A and B)



### Application Information

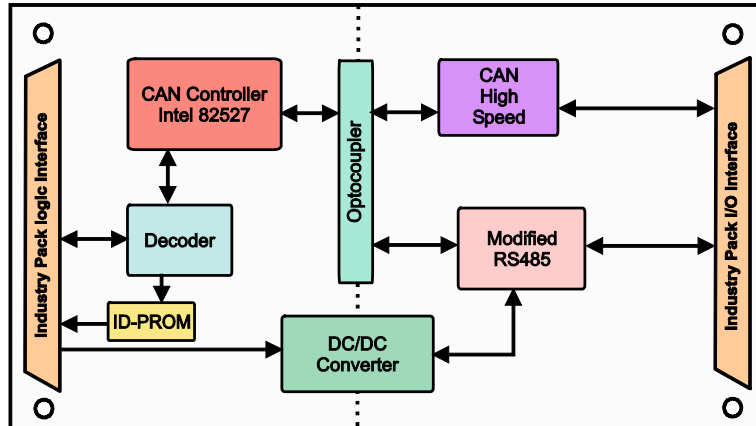
The TIP816 is an IndustryPack® compatible module and offers a complete CAN bus interface using the Innovasic Semiconductor IA82527 CAN controller. The IA82527 is a form, fit and function replacement for the Intel 82527 CAN controller. This controller supports the standard data and remote frame as well as the extended data and remote frame according to CAN specification 2.0 part A and part B. It has the capability to transmit, receive and perform message filtering on extended and standard messages.

The TIP816 supports a 16 bit bus interface which permits word and byte accesses to the internal registers of the CAN controller. The physical interface supports CAN High Speed (according to ISO11 898) as well as modified RS485. Both physical interfaces are optically isolated from the CAN controller.

The CAN Software Support TIP816-SW-xx provides functionality to route CAN messages to dedicated processes.

### Technical Information

- Interface according to IndustryPack specification
- Identification-PROM supports auto-configuration
- Single Size IndustryPack
- CAN bus interface based on IA82527 chip
- Support CAN specification 2.0 part A and part B (Standard and Extended Data Frames)
- Programmable global mask
- 15 message objects of 8 byte data length
- Powerful error handling
- Programmable transfer rates
- Physical interface  
CAN High Speed (according to ISO 11 898) and modified RS485
- Physical interface optically isolated from CAN controller
- On board DC/DC converter
- Maximum transfer rate 1 Mbit/s (bus length up to 40 m)
- Operating temperature -40°C to +85°C



### Order Information

#### RoHS Compliant

**TIP816-10R** 1 x isolated CAN Bus based on Intel 82527, ISO11898 CAN High Speed or RS485

For the availability of non-RoHS compliant (lead solder) products please contact TEWS.

#### Documentation

**TIP816-DOC** User Manual

#### Software

**TIP816-SW-25** Integrity Software Support

**TIP816-SW-42** VxWorks Software Support (Legacy and VxBus-Enabled Software Support)

**TIP816-SW-65** Windows Software Support

**TIP816-SW-72** LynxOS Software Support

**TIP816-SW-82** Linux Software Support

**TIP816-SW-95** QNX Software Support

For other operating systems please contact TEWS.