

# General Standards Corporation

High Performance Bus Interface Solutions

## 66-16AISS8AO4

16-Bit, 12-Channel, 2-MSPS PMC Analog Input/Output Board

*With Eight Simultaneously Sampled Analog Inputs, Four Analog Outputs,  
and Input Sampling Rates to 2.0 MSPS per channel*

Available in PMC, PCI, cPCI and PC104-Plus and PCI Express form factors as:

<b>PMC66-16AISS8AO4:</b>	<b>PMC, Single-width</b>
<b>PCI66-16AISS8AO4:</b>	<b>PCI, short length</b>
<b>Cpci66-16AISS8AO4:</b>	<b>cPCI, 3U</b>
<b>PC104P66-16AISS8AO4:</b>	<b>PC104-Plus</b>
<b>PCle66-16AISS8AO4:</b>	<b>PCI Express</b>
<b>PCle10466-16AISS8AO4:</b>	<b>PCle, one-lane on PC/104 form factor</b>

See Ordering Information for details.

Call for availability of other form factors, such as XMC, CCPMC, etc.

### FEATURES:

- **Analog Inputs:**
  - 8 Differential Analog Inputs with Dedicated 16-Bit ADC per Channel
  - True Simultaneous Sampling of all Inputs to 2.0 MSPS per channel
  - SAR Architecture; No Minimum Sample Rate
- **Analog Outputs:**
  - 4 Single-Ended Analog Outputs with Dedicated 16-Bit DAC per Channel
  - Simultaneous Output Clocking Rates to 1.0 MSPS per Channel
  - Selectable Direct-Write or FIFO-Buffered Access
  - Buffer Configurable as Open for Data Streaming, or Circular for Periodic Functions
- **Common Analog I/O Features:**
  - Selectable Input/Output Ranges:  $\pm 10V$ ,  $\pm 5V$ ,  $\pm 2.5V$
  - Independent 256-Ksample Input and Output FIFO Data Buffers
  - Hardware Clock and Sync I/O for Multiboard Operation
  - Internal Power Conversion; Single 5-Volt Power Requirement
  - DMA Engine Minimizes Bus Congestion
  - Timing Controlled by Internal Rate Generator, by Software Clocking, or Externally
  - Three Independent 24-Bit frequency dividers.
  - Internal Autocalibration
- 16-Bit Bidirectional TTL Digital I/O Port
- 66 MHz 32-Bit PCI Support, with Universal 5V/3.3V Signaling
- Single-Width PMC Form Factor with Integral EMI Shield.
- Extended-temperature version available.
- I/O Connector Pin-Compatible with PMC-12AISS8AO4, PMC-12AISS44AO4. Alternate I/O available with two SMA coaxial input connectors.

### TYPICAL APPLICATIONS:

- ✓ High Performance Data Acquisition
- ✓ Event Capture
- ✓ Robotics
- ✓ Arbitrary Waveform Generation
- ✓ Ultrasound
- ✓ Positioning Systems

REV: 081510

## General Standards Corporation

8302A Whitesburg Drive · Huntsville, AL 35802

Phone: (256) 880-8787 or (800) 653-9970 FAX: (256) 880-8788 Email: Solutions@GeneralStandards.com

## FUNCTIONAL DESCRIPTION

The 16-Bit PMC-16AISS8AO4 analog I/O module samples and digitizes eight input channels simultaneously at rates up to 2.0 million samples per second for each channel. The resulting 16-bit sampled data is available to the PCI bus through a 256K-Sample FIFO buffer. Sampling can be controlled in groups of 1 through 8 channels, and the sample clock can be generated either from an internal rate generator, or through software, or by external hardware. Both burst and continuous sampling modes are supported. Input ranges are software-selectable as  $\pm 10V$ ,  $\pm 5V$ , or  $\pm 2.5V$ . The inputs can be divided into two channel groups, with independent range assignments for both groups.

Four analog output channels provide software-selected output ranges of  $\pm 2.5V$ ,  $\pm 5V$  or  $\pm 10V$ , and are accessed either directly through dedicated control registers, or output data can be routed through a 256K-Sample FIFO buffer for waveform generation. A 16-Bit bidirectional digital port can be configured as two independent byte-wide ports.

On-demand autocalibration determines and applies offset and gain correction values for all input and output channels. A selftest input switching network routes output channels or calibration reference signals to the analog inputs, and permits board integrity to be verified by the host.

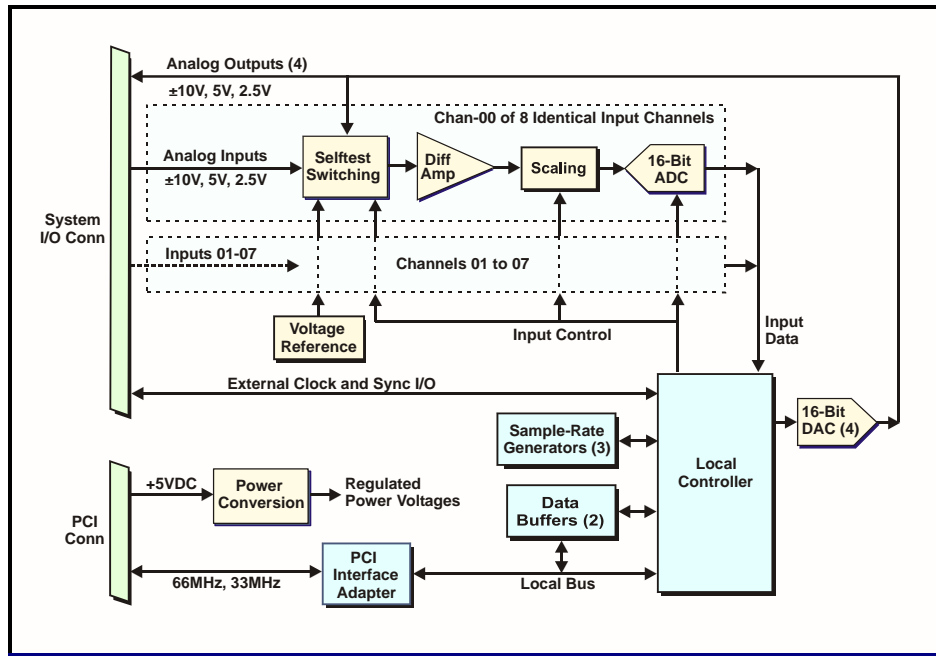


Figure 1. PMC-16AISS8AO4; Functional Organization

This product is functionally compatible with the IEEE PCI local bus specification Revision 2.3, and supports the "plug-n-play" initialization concept. System connections are made at the front panel through a high-density dual-ribbon 80-pin connector, or alternative I/O is available with two SMA coaxial input channels. Power requirements consist of +5 VDC in compliance with the PCI specification, and analog power voltages are generated internally. All operational parameters are software configurable. Operation over the specified temperature range is achieved with conventional air cooling.

## PERFORMANCE SPECIFICATIONS

At +25 °C, with specified operating voltages

### Analog Input Characteristics:

Configuration:	Eight differential analog input channels; Dedicated 16-Bit ADC per channel. Optional 4-Channel version available. (Two external and two internal input channels if the SMA Inputs I/O ordering option is specified).
Voltage Ranges:	Independently assignable between two groups of input channels as: $\pm 10V$ , $\pm 5V$ or $\pm 2.5V$ full scale.
Input Impedance:	2 Megohms Line-Line in parallel with 40pF.
Bias Current:	100 nanoamps typical all ranges
Crosstalk Rejection:	84dB, DC-10kHz. 70dB at 100kHz.
Signal/Noise Ratio (SNR):	82dB typical; 10Hz to 500kHz
Common Mode Rejection:	65dB DC-10kHz; 53dB at 100kHz. Typical with CMV = $\pm 10V$ , $V_{in}$ = Zero.
Overvoltage Protection:	$\pm 25V$ with power applied, $\pm 15$ Volts with power removed.

### Analog Input Transfer Characteristics:

Resolution:	16 Bits (0.0015 percent of FSR)		
Sample Rate:	Zero to 2.0 MSPS per channel		
Sampling Mode::	Simultaneous; all active input channels		
DC Accuracy: (Maximum composite error after autocalibration)	<u>Range</u>	<u>Midscale Accuracy</u>	<u>Fullscale Accuracy</u>
	$\pm 10V$	$\pm 2mV$	$\pm 5mV$
	$\pm 5V$	$\pm 1mV$	$\pm 3mV$
	$\pm 2.5V$	$\pm 0.8mV$	$\pm 2mV$
Small Signal Bandwidth:	Zero to 5MHz, -3dB, all ranges		
Settling Time:	500ns to 0.1%; halfscale step; typical; all ranges.		
Power Bandwidth:	3MHz, 10Vp-p, -3dB		
Integral Nonlinearity:	$\pm 0.007$ percent FSR (FSR = fullscale range; e.g.: 20Von $\pm 10V$ range).		
Differential Nonlinearity:	$\pm 0.003$ percent FSR.		

### Analog Input Operating Modes and Controls

Input Data Buffer:	256K-sample FIFO
Sample Clock Sources:	Internal rate generator; External Hardware Clock I/O, Software clock.
Sampling Modes:	Continuous sampling, and triggered burst.
Internal Rate Generators:	Two independent rate generators, one for ADC clocking; one for burst triggering. Both programmable from 3-2,000,000 sample clocks per second, using 24-Bit dividers from the master clock frequency.
External Clock I/O:	TTL, bidirectional. Zero to 2,000,000 sample clocks per second.
Principal Status Register:	Consolidates critical status flags at a single Longword location.
Input Data Format:	16 Bits. Selectable as offset binary or two's complement. First-channel and end-of-burst tagged.

### **Analog Output Characteristics:**

Configuration:	Four single-ended output channels. (Two external and two internal output channels if the SMA inputs I/O ordering option is specified).
Voltage Ranges:	$\pm 10$ , $\pm 5$ or $\pm 2.5$ Volts; Independent of analog input ranges.
Output Resistance:	1.0 Ohm maximum at I/O connector pins.
Output protection:	Withstands sustained short-circuiting to ground
Load Current:	Zero to $\pm 3$ ma per channel
Load Capacitance:	Stable with any load capacitance
Noise:	2.0mV-RMS, 10Hz-100KHz typical
Glitch Impulse:	7 nV-s, typical on $\pm 5$ V range

### **Analog Output Transfer Characteristics:**

Resolution:	16 Bits (0.0015 percent of FSR)		
Output Access:	Direct register access or 256K-Sample FIFO buffer.		
DC Accuracy: (Max error, no-load)	<u>Range</u>	<u>Midscale Accuracy</u>	<u><math>\pm</math>Fullscale Accuracy</u>
	$\pm 10$ V	$\pm 4$ mV	$\pm 8$ mV
	$\pm 5$ V	$\pm 2$ mV	$\pm 6$ mV
	$\pm 2.5$ V	$\pm 1.5$ mV	$\pm 4$ mV
Settling Time:	2us to 0.1 percent, typical with halfscale step, no-load.		
Crosstalk Rejection:	70 dB minimum, DC-100 kHz		
Integral Nonlinearity:	$\pm 0.007$ percent of FSR, maximum		
Differential Nonlinearity:	$\pm 0.002$ percent of FSR, maximum		
Output Data Format:	16 Bits. Same format as selected for analog inputs.		

### **Analog Output Operating Modes and Controls**

Output Data Buffer:	256K-sample FIFO
Sample Clock Sources:	Internal rate generator; External Clock I/O, Software clock.
Burst Triggering Sources:	TTL external Trigger I/O (shared with analog inputs), Software trigger.
Clocking Modes:	Continuous or periodic clocking, and triggered burst.
Internal Rate Generator:	Programmable from 3-1,000,000 output clocks per second. Divides Master Clock frequency to clocking rate using a 24-bit divider.
External Clock I/O:	TTL, bidirectional. Zero to 1,000,000 sample clocks per second.
Output Data Format:	16-Bits. Selectable as offset binary or two's complement.

### **Digital I/O Port:**

Dual Independent 8-Bit bidirectional I/O ports. Standard TTL levels. Direct register Access.  $\pm 8$  mA loading when configured as outputs. 0.15 mA source when configured as inputs. (Four digital I/O lines if the SMA inputs I/O ordering option is specified).

### **PCI Compatibility:**

Conforms to PCI Specification 2.3, D32 read/write, 33/66MHz, universal (5V/3.3V) signaling, Supports block-mode and demand-mode DMA data transfers in two channels as bus master.

### **Power Requirements**

+5VDC  $\pm 0.25$  VDC at 1.5 Amp maximum, 1.1 Amp typical.  
Maximum Power Dissipation: Side-1: 6.5 Watts. Side 2: 1.0 Watt.

---

## **General Standards Corporation**

8302A Whitesburg Drive · Huntsville, AL 35802

Phone: (256) 880-8787 or (800) 653-9970 FAX: (256) 880-8788 Email: Solutions@GeneralStandards.com

## **PHYSICAL PARAMETERS**

---

### ***Mechanical Characteristics (PMC Form Factor)***

Height: 13.5 mm (0.53 in)  
Depth: 149.0 mm (5.87 in)  
Width: 74.0 mm (2.91 in)  
Shield: Side-1 is protected by an EMI shield.

### ***Environmental Specifications***

Ambient Temperature Range:

Standard Temperature:                      Operating: 0 to +70 Degrees Celsius \*  
Storage: -40 to +85 Degrees Celsius

Extended Temperature:                      Operating: -40 to +85 Degrees Celsius \*  
Storage: -40 to +85 Degrees Celsius

\* Air temperature at board surface.

Relative Humidity: 0 to 95%, non-condensing

Altitude: Operation to 10,000 ft.

Cooling: Conventional air cooling; 150 LFPM

## ORDERING INFORMATION

Specify the basic product model number followed by an option suffix "-A-B-C-D", as indicated below. For example, model number **PMC66-16AISS8AO4-8-4 -40.32M** describes a PMC module with eight input channels, four output channels, a 40.320MHz master clock frequency, and no custom features.

To obtain the alternate I/O connector version with two SMA coaxial input channels, two analog outputs and four digital I/O lines, specify the basic product model number with the suffix "SMA". For example, model number **PMC66-16AISS8AO4SMA** describes a PMC module with two SMA coaxial input channels, and a DB9 subminiature I/O connector containing two analog outputs and four digital I/O lines.

Basic Model Number	Form Factor
<b>PMC66-16AISS8AO4</b>	PMC (Native)
<b>PCI66-16AISS8AO4<sup>1</sup></b>	PCI, short length
<b>Cpci66-16AISS8AO4<sup>1</sup></b>	cPCI, 3U
<b>PCle66-16AISS8AO4<sup>1</sup></b>	cPCI, 3U
<b>PC104P66-16AISS8AO4</b>	PC104-Plus
<b>PCle10466-16AISS8AO4<sup>1,2</sup></b>	PCle, one-lane on PC/104 form factor

<sup>1</sup> Module installed and tested on an adapter, with mechanical and functional equivalency. Contact factory for availability in native form factors.

<sup>2</sup> PCle104 supports only the PCle bus.

Optional Parameter (Standard I/O version)	Value	Specify Option As:
Number of Input Channels	8 Input Channels	A = 8
	4 Input Channels	A = 4
Number of Output Channels	4 Output Channels	B = 4
	No Analog Outputs	B = 0
Master Clock Frequency *	40.320MHz	C = 40.32M
Custom Feature	---	D **

\* 40.320MHz if both 'C' and 'D' fields are blank. Custom frequencies available from 40-44MHz. Contact Sales for details.

\*\* Numeric code, determined by specific feature. Blank or zero (0) if no custom feature applies.

## General Standards Corporation

8302A Whitesburg Drive · Huntsville, AL 35802

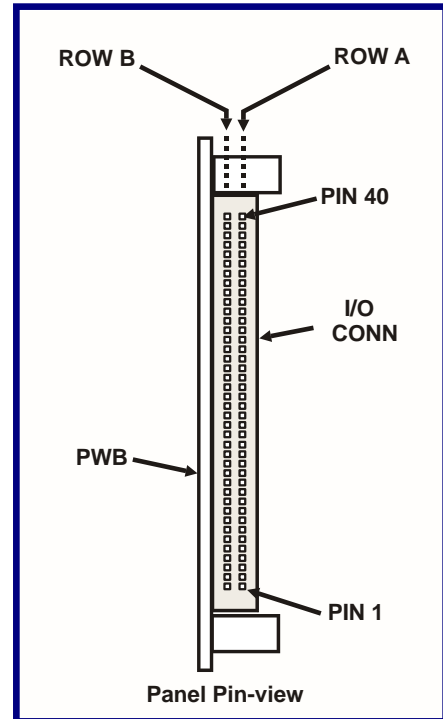
Phone: (256) 880-8787 or (800) 653-9970 FAX: (256) 880-8788 Email: Solutions@GeneralStandards.com

## SYSTEM INTERFACE CONNECTOR (Standard I/O)

**Table 1. System I/O Connector**

ROW-A		ROW-B	
PIN	SIGNAL	PIN	SIGNAL
1	OUTPUT RTN	1	DIGITAL RTN
2	ANA OUT 00	2	DIO 00
3	OUTPUT RTN	3	DIGITAL RTN
4	ANA OUT 01	4	DIO 01
5	OUTPUT RTN	5	DIGITAL RTN
6	ANA OUT 02	6	DIO 02
7	OUTPUT RTN	7	DIGITAL RTN
8	ANA OUT 03	8	DIO 03
9	INPUT RTN	9	DIGITAL RTN
10	INPUT RTN	10	DIO 04
11	INP00 LO *	11	DIGITAL RTN
12	INP00 HI *	12	DIO 05
13	INPUT RTN	13	DIGITAL RTN
14	INPUT RTN	14	DIO 06
15	INP01 LO *	15	DIGITAL RTN
16	INP01 HI *	16	DIO 07
17	INPUT RTN	17	DIGITAL RTN
18	INPUT RTN	18	DIO 08
19	INP02 LO **	19	DIGITAL RTN
20	INP02 HI **	20	DIO 09
21	INPUT RTN	21	DIGITAL RTN
22	INPUT RTN	22	DIO 10
23	INP03 LO **	23	DIGITAL RTN
24	INP03 HI **	24	DIO 11
25	INPUT RTN	25	DIGITAL RTN
26	INPUT RTN	26	DIO 12
27	INP04 LO *	27	DIGITAL RTN
28	INP04 HI *	28	DIO 13
29	INPUT RTN	29	DIGITAL RTN
30	INPUT RTN	30	DIO 14
31	INP05 LO *	31	DIGITAL RTN
32	INP05 HI *	32	DIO 15
33	INPUT RTN	33	VTEST RTN
34	INPUT RTN	34	VTEST
35	INP06 LO **	35	DIGITAL RTN
36	INP06 HI **	36	OUTPUT CLK I/O
37	INPUT RTN	37	DIGITAL RTN
38	INPUT RTN	38	TRIGGER I/O
39	INP07 LO **	39	DIGITAL RTN
40	INP07 HI **	40	INPUT CLK I/O

\* Input Group-A.    \*\* Input Group-B.  
4 input-channel modules contain input Channels 00-03.



**Figure 2. System I/O Connector**

**System Mating Connector:**

Standard 80-pin 0.050" dual-ribbon socket:  
Robinson Nugent **P50E-080S-TG**, or equivalent.

## SYSTEM INTERFACE CONNECTOR (SMA inputs I/O)

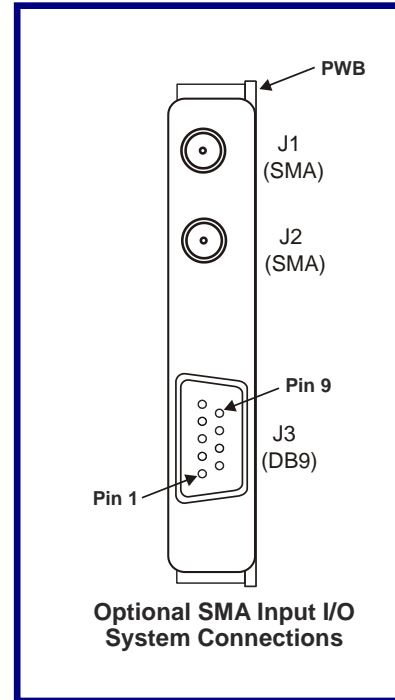
J1 (SMA) INP01.

J2 (SMA) INP03.

J3 (DB9):

**Table 2. J3: DB9 Connector**

PIN	SIGNAL ASSIGNMENT	ORIGINAL SIGNAL(S) from Table 1
1	DIGITAL OUT #1	DIO 00
2	DIGITAL OUT #2	DIO 01
3	DIGITAL OUT #3	DIO 02
4	DIGITAL INP #1	DIO 08
5	GND	DIGITAL RTN
6	DAC OUT #1	ANA OUT 00 and INP00
7	GND	OUTPUT RTN
8	DAC OUT #2	ANA OUT 02 and INP02
9	GND	OUTPUT RTN



**Figure 3. Alternate System I/O**

NOTE: The following system I/O lines are not available in the alternate SMA system I/O configuration:

Analog inputs INP04-07,  
Analog outputs ANA OUT 01, ANA OUT 03,  
Digital I/O DIO03-DIO07.

Analog inputs INP00 and INP02 are available internally only, and are connected to ANA OUT 00 and ANA OUT 02, respectively.

General Standards Corporation assumes no responsibility for the use of any circuits in this product. No circuit patent licenses are implied. Information included herein supersedes previously published specifications on this product and is subject to change without notice.

**General Standards Corporation**

8302A Whitesburg Drive · Huntsville, AL 35802

Phone: (256) 880-8787 or (800) 653-9970 FAX: (256) 880-8788 Email: Solutions@GeneralStandards.com